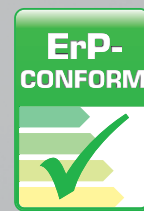




Energy saving and environmental protection as standard

The new FGB wall mounted gas condensing boiler from Wolf

Made in Germany, designed for you



Designed for you

The Wolf FGB

The FGB-series comes in two capacities (28 and 35 kW) and is available in a heating and a combi version. The FGB offers everything an advanced wall mounted condensing boiler needs, operating with natural gas and with LPG. Made in Germany.

The design:

A stylish casing and the compact dimension offer many mounting possibilities. The internal components are chosen from very robust and durable materials such as copper pipes, cast-aluminum heat exchanger, a glass fiber reinforced polyamide hydraulic block and a stainless steel DHW heat exchanger in the combi boilers. The straightforward design of the monobloc heat exchanger has large and simple water channels. The High-efficiency pump and fan together with the high thermal conductivity of the heat exchanger lets the FGB easily comply to class A of the ErP directive. Additional components like safety valve, condensate trap, expansion vessel, air vent and a flue gas non-return valve (for multiple-floor systems) are already integrated. Installation and maintenance can be done very quickly by a single person due to the fixing and connection design.

The features:

The design of the combustion chamber is optimized for a very clean combustion and an efficient modulation range (up to 1:6) at very low gas pressures. The built-in controller supports weather compensation (sensor as accessory), is compatible with all Wolf controls, allows solar integration and provides internet connectivity through browser or iOS/android app (iSM7e as accessory). Online control and monitoring for users and installers gives you access to the boiler from everywhere for better service, more savings and highest comfort. The big display shows all the important data with a very simple and user friendly interface. A high DHW flow rate with a draw-off range from only 2 l/min to 16 l/min together with a quick start function and a high-speed temperature adaption, the hot water temperatures are always comfortable. The new spread control of the pump lowers the return temperatures for more condensation, higher efficiency and a cleaner heat exchanger.

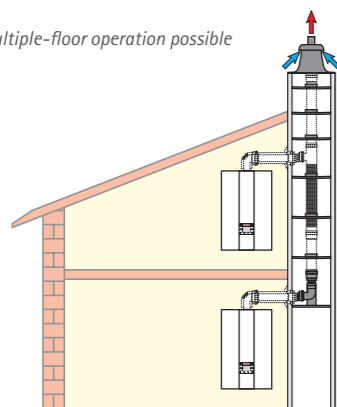
Benefits for the installer:

- robust and durable materials
- easy installation and maintenance
- straightforward controller design
- complies with ErP – class A
- remote control (with iSM7e accessory)
- high level of standard equipment
- simple solar integration for DHW
- compatible with Wolf Control System
- practical modulation range up to 1:6

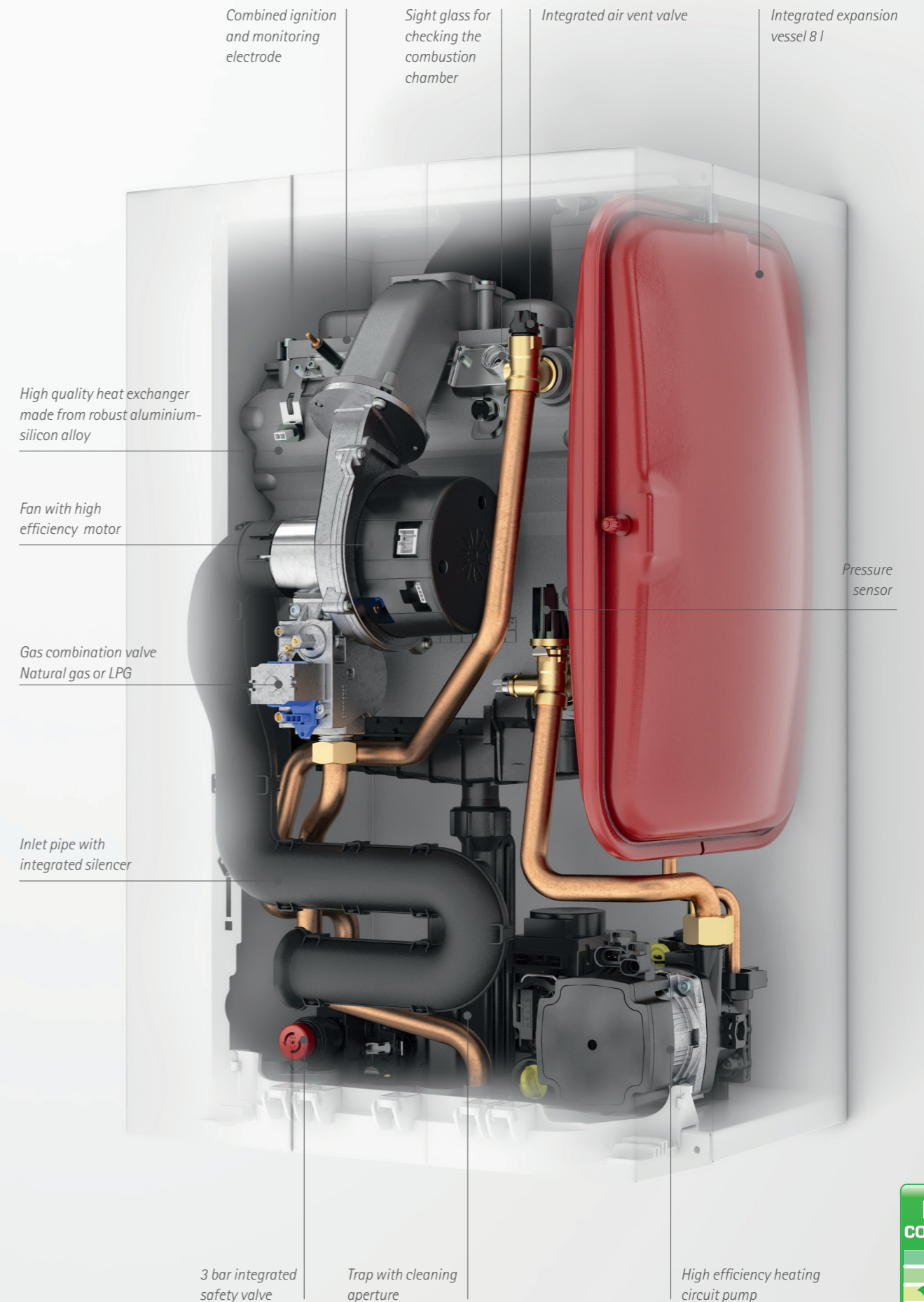
Benefits for the user:

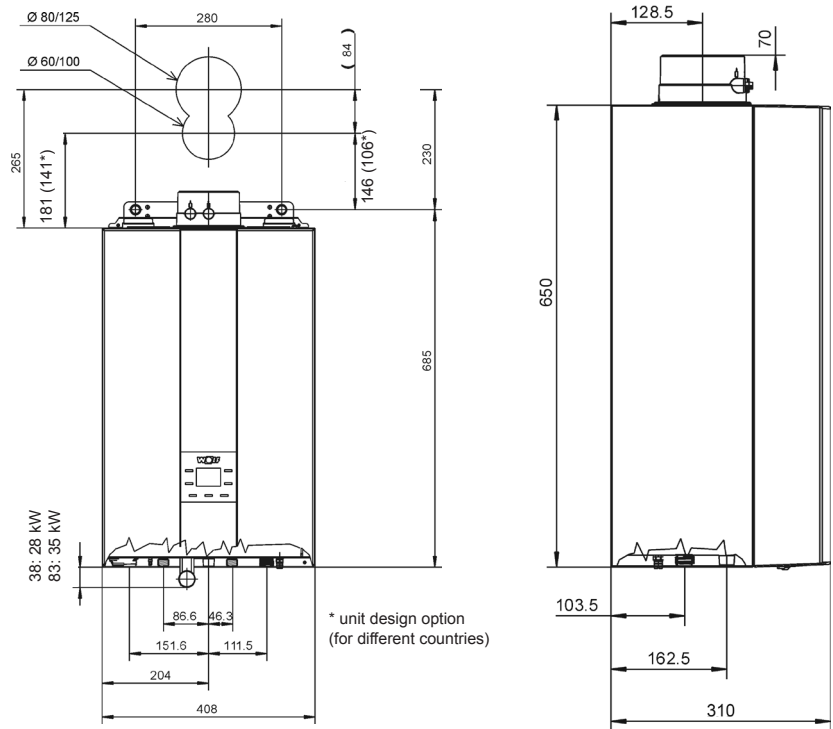
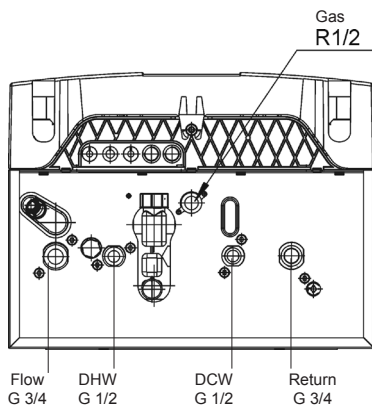
- high value - high efficiency
- low operation costs
- smartphone operation (with iSM7e accessory)
- stylish design
- constant hot water temperatures
- compact dimensions
- simple user interface

multiple-floor operation possible



External interface module iSM7e with LAN and WLAN interface via eBUS





Specification

TYPE	SYSTEM BOILER		COMBI BOILER		
	FGB-28	FGB-35	FGB-K-28	FGB-K-35	
Dimensions (without flue gas collar) (width x depth x height in mm)	mm	408 x 310 x 650	408 x 310 x 650	408 x 310 x 650	408 x 310 x 650
Rated heating output 80/60 °C in kW	kW	24.4/27.3 ¹	31.1/34.0 ¹	24.4/27.3 ¹	31.1/34.0 ¹
Rated heating output 50/30 °C in kW	kW	27.3	34.9	27.3	34.9
Rated heat input	kW	25/28 ¹	32/35 ¹	25/28 ¹	32/35 ¹
Lowest heating output (modulating) at 80/60 °C	kW	4.8	6.7	4.8	6.7
Lowest heating output (modulating) at 50/30 °C	kW	5.3	7.5	5.3	7.5
Lowest heat input (modulating)	kW	4.9	6.9	4.9	6.9
Efficiency					
Useable efficiency at rated heat output and high temperature regime Hi/Hs	%	97.7/87.9	97.1/87.4	97.7/87.9	97.1/87.4
Useable efficiency at rated heat output and low temperature regime Hi/Hs	%	109.0/98.1	109.0/98.1	109.0/98.1	109.0/98.1
Seasonal efficiency η_s	%	93	93	93	93
NO _x class		5	5	5	5
Expansion vessel	l	8	8	8	8
Max. total positive heating circuit pressure	bar	3	3	3	3
Total weight	kg	30	35	30	35
Power supply		230 V, 50 Hz	230 V, 50 Hz	230 V, 50 Hz	230 V, 50 Hz
Specific water throughput D at $\Delta T = 30$ K	l/min	-	-	12.9	16
Air connection	mm	100	100	100	100
Flue gas connection	mm	60	60	60	60

¹ Heating mode/DHW mode

Your local specialist

Wolf GmbH
 Industriestr. 1
 D-84048 Mainburg
 Tel. +49 (0) 8751/74-0
 Fax +49 (0) 8751/74-1600
 www.wolf-heiztechnik.de
 info@wolf-heiztechnik.de



Energy saving and environmental protection as standard